



"2 or 3 Axis remote Head and HD Signal through slip rings"



Features:

- 2 and 3 axis remote head for video and film cameras
- Mini Scorpio Head can be controlled from up to 500 meters by cable serie RS485 or by wireless half-duplex microwave 2,4GHz.
- All axis (Pan, Tilt and Roll, and Focus, Iris and Zoom if you use the Scorpio Focus) are programmable and repeatable.
- Limits programmable, damping and speed adjustment for all axis available.
- 3 control system are available: JDR (Pan Bar), Joystick and Handwheels.
- All information transferable to a computer by 232
- Power supply for all film and video cameras
- All accessories from the Scorpio Head, Scorpio Stabilized and Scorpio Focus are compatible with Mini Scorpio Head.
- New upgrade available for HD slip rings.



New Features:

System for Tracking the Camera Position in 3D

It is a camera tracking system for virtual studio and augmented reality. Scorpio cranes, heads and travelling can perform camera tracking with  integration system for real-time augmented reality and virtual studio broadcasting.

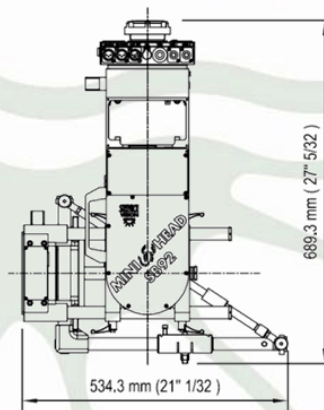
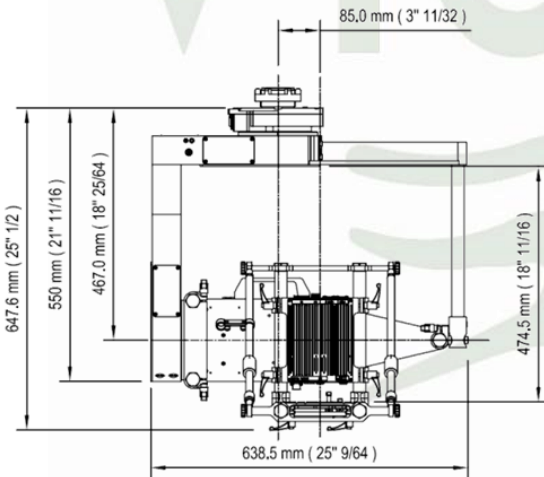
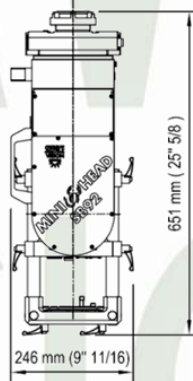
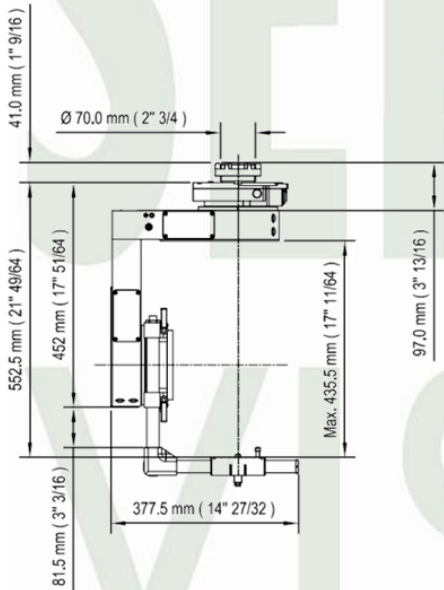
Motion Generator

Interfacing possibility between Scorpio head and crane, allowing us to perform back pan, head will follow a target, previously chosen by setting the distance, according to the movements of the crane (pan, tilt and telescopic movements).



Technical specifications:

- Weight in 2 axis 18 kg, in 3 axis 25 kg
- Max. load: 45 kg in 2 axis, 20 kg in 3 axis
- All axis Pan Tilt and Roll in 3 axis 360 degrees continuous
- Power from battery or power supply 24V to 35V
- 2 video signals
- 1 Triax signal
- 10 auxiliary channels 2A
- 1 connection for Scorpio Focus or others lens control systems
- 2 out 12V/ 12,5A for normal or high speed cameras
- 1 out 26,7V/12,5A for normal or high speed cameras
- Max. speed in all axis 2,5 sec. for 360 degrees
- HD signal through the slip rings in all axes



Wireless Control:

Connection between Mini Head and control.
 Half duplex microwave 2.4 GHz
 99 channels of communication.
 Aux power out 12V.



SERVICEVISION BIS S.L.

Calle Ríos Rosas, 20
 08940 Cornellà de Llobregat
 Barcelona, Spain
 Phone +34 93 2238630
 Fax +34 93 2238631
 comercial@servicevision.es
www.servicevision.es



@servicevision



@servicevision_scorpio



@ServicevisionScorpio